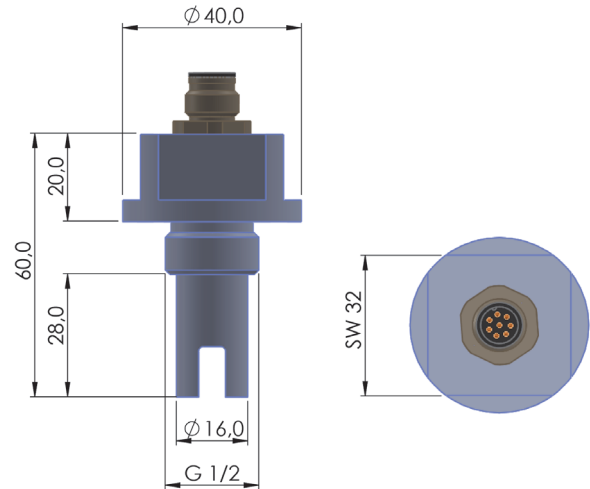


Conductivity Cell LF4613

Dimensions



Characteristics

- 4-electrode screw-in cell; pipe thread acc. to DIN ISO 228
- Measuring range 0..20 $\mu\text{S}/\text{cm}$ up to 0..200 mS/cm
- Insensitive against soiling
- No influence from polarization effects and line resistance

Technical data

Cell constant	: C = 0.4 exact cell constant labeled on the type plate
Process temperature	: 0..+60 °C
Process pressure	: max. 16 bar, at 22 °C
Process connection	: pipe thread acc. to DIN ISO228
Process material	: PVC-U acc. to DIN 8061/8062, graphite (electrodes) Electrical connection 8 pole round connector plug M12x1, IP67
Material	: brass nickel plated
Temperature measurement	: integrated Pt1000 sensor DIN IEC751, class A

Ordering code

LF4613 - C0,4 - 1. - 2. - 3.

4-Electrodes-Conductivity measuring cell	
1. Process connection (A)	
G 1/2 A	Cylindric screw thread G 1/2 A
2. Electrical connection	
1	8-pole round plug connector
3. Options	
00	without option
03	8-pole round plug connector stainless steel